

Showmanship Judges Card

Int. Amirama

#	Handler 25%	Animal and Equipment 25%	Performance 50%	Total	Danish	Placing
209	25	25	20 25	75	R	7
Comments: w/o str. lines, missed 1st trot, good job trying! good back, complete turn before moving on						
217	15	25	3.5	43	W	9
Comments: Backed out of turn 360, made you wish good 1st pulling at back, overbacked, as narrow at end						
213	25	25	40	90	B	2
Comments: w/on str. line after turn, w/on punch hand Nice job!						
224	20	20	20	60	W	10
Comments: Horse pushing/pulling. Refusal. Chain strap is Good job keeping calm) not needed w/ handler						
203?	20	20 - narrow	39	79	R	6
Comments: Nice start: w/on straight lines. Good Forward Make sure # is visible, pull hair up						
235	25	25	41	91	B	1
Comments: Some pulling at trot, w/on str. lines stepped out at set						
212	20	25	38	83	R	4
Comments: w/o str. line w/ turns, good trot, slow to 114						
215	19	25	38	82	R	5
Comments: w/on str. lines w/ 360, pulling at stop + back, over backed, not 2nd trot. moved at setup						
214	20	20	30	70	R	8
Comments: pushing/pulling/guiding. w/o str. lines dirty hind end.						
2010	25	25	39	89	B	3
Comments: w/on str. lines, look up, good job slow to 114						
Comments:						
Comments:						
Comments:						
Comments:						

203

Danish breakdown: 69 and under white, 70-84 red, 85-91 blue, 92 and above high blue

Junior

Showmanship Judges Card

	Handler 25%	Animal and Equipment 25%	Performance 50%	Total	Danish	Placing
J	107 25	25	45	95	HB	1st
Comments: set up a little more square - great smile!						
J	105 25	25	20	70	R	2
Comments: stepped out during inspection work on pivots						
J	116 25	20	20	65	W	3
Comments: try to get stains off knees & hocks keep trotting clean up pivots - look at judge & smile :)						
J	103 15	25	10	50	W	5
Comments: keep trotting in circle - don't touch horse when backing - tie hair so you don't need to let go of lead - stand for 1/4 min pivots						
J	125 20	25	15	60	W	4
Comments: work on backing, pivots, good job trying to keep control						
GH	340 25	20	50	95	HB	1st
Comments: good work on pivots - thank you for acknowledging judge! trimming whiskers would look nice but not required						
Comments:						
Comments:						
Comments:						
Comments:						
Comments:						
Comments:						
Comments:						
Comments:						
Comments:						

GREEN HORSE

Danish breakdown: 69 and under white, 70-84 red, 85-91 blue, 92 and above high blue

-senior

SENIOR

Amidano

Showmanship Judges Card

Handler 25%		Animal and Equipment 25%	Performance 50%	Total	Danish	Placing
#	Neat, clean, properly dressed, prompt, alert, confident and courteous.	Clean, brushed, good condition, feet, fit of halter and lead, equipment clean and safe.	Following directions, leading, turning, standing, backing stopping showing to advantage.			
320	20	25	20	65	W	
Comments: Be ready at A, work on st. lines, leading w/ slow to trot nice and calm w/ horse						
335	25	25	30	80	B	7
Comments: low hand, pulling/guiding w/o str. lines good forehand, nice setup - step out						
341	25	25	40	90	B	3
Comments: step out at halt, ✓ 300, ✓ trot, craked out of back ✓ side						
70	15	20	20	55	W	10
Comments: make sure to look up, push into 300 missed off side Good job trying to keep trot...						
381	15	25	20	60	W	9
Comments: carried at A, missed off side. good halt + back, missed side pass						
315	25	25	39	89	B	4
Comments: Pulling/guiding, nice start! good lines - w/o						
323	25	25	45	95	HS	1
Comments: nice 300! pulling at halt nice side.						
304	25	25	38	88	B	5
Comments: w/ on st. lines, step out at st setup						
322	25	25	37	87	B	6
Comments: make sure to complete 300 w/ on trot off side Good job on correcting at back. good forehand						
358	25	25	41	91	B	2
Comments: Nice start at A, make sure to keep st. lines nice trot!						
305	20	25	30	75	W	8
Comments: Moved at halt, over turn 300 nice off side trot!						
Comments:						
Comments:						
Comments:						

Danish breakdown: 69 and under white, 70-84 red, 85-91 blue, 92 and above high blue

Novice Showmanship

Showmanship Judges Card						
	Handler 25%	Animal and Equipment 25%	Performance 50%			
#	Neat, clean, properly dressed, prompt, alert, confident and courteous.	Clean, brushed, good condition, feet, fit of halter and lead, equipment clean and safe.	Following directions, leading, turning, standing, backing stopping showing to advantage.	Total	Danish	Placing
101	20	20	10	50	W	White 4
Comments: Look up 😊 Shorten lead set up horse wrong direction chain will help						
63	25	25	40	90	HB	3
Comments: great grooming job! 90° not 180° turn						
1103	20	25	10	55	W	4
Comments: tie hair up so can see number forgot to back 90° not 180° turn!						
54	25	25	50	100	HB	1
Comments: Excellent job! thank you!						
56	25	25	45	95	HB	2
Comments: Clean up pivots to be a little sharper great job remembering pattern						
Comments:						
Comments:						
Comments:						
Comments:						
Comments:						
Comments:						
Comments:						
Comments:						
Comments:						
Comments:						

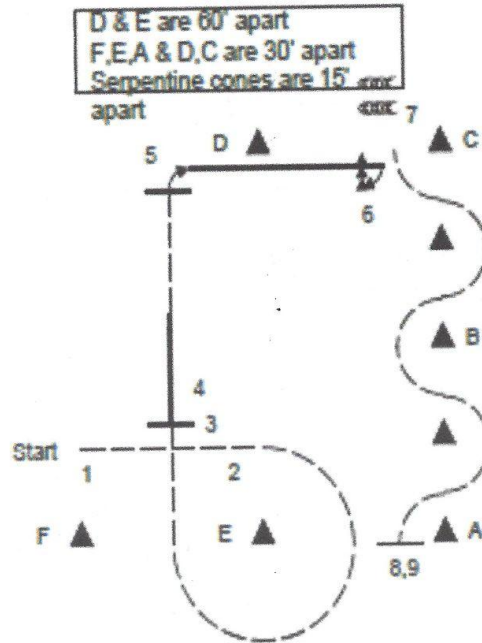
Danish breakdown: 69 and under white, 70-84 red, 85-91 blue, 92 and above high blue

SHOWMANSHIP

SUPREME AWARD

PATTERN#2

1. Start at F.
2. Trot a circle around E, about 30" in diameter.
3. Stop where indicated. Move to off side.
4. Walk horse half way to D on off side. Trot the rest of the way to D on off side. Stop at D.
5. Return to near side. Turn 90-degrees on the right haunches. Walk to C.
6. Turn 90-degrees on the right forehand. Back three steps.
7. Side pass about three steps to the left. Trot serpentine through cones. Stop at A.
8. Move to off side and set up for inspection. After inspection, pick up any foot judge directs.
9. Exhibitor excused to line up.



40

Rider # 323

Comments: W/ on hind foot pickup

Some lapping at start of trot? seemed to

pull around. Nice job!

Point: YES

NO

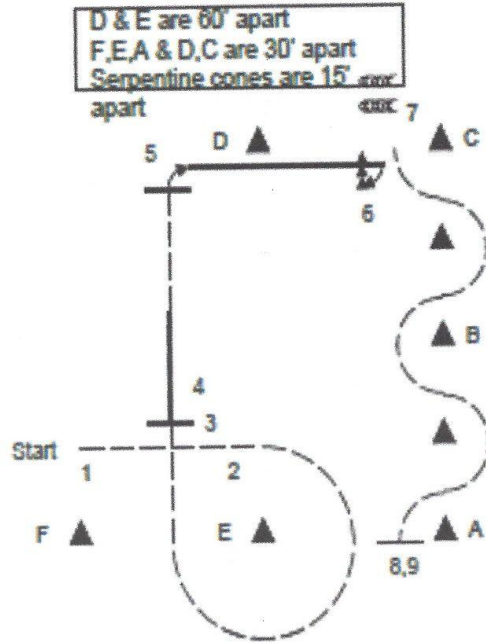
Judges Signature: Amin Smith

SHOWMANSHIP

SUPREME AWARD

PATTERN#2

1. Start at F.
2. Trot a circle around E, about 30" in diameter.
3. Stop where indicated. Move to off side.
4. Walk horse half way to D on off side. Trot the rest of the way to D on off side. Stop at D.
5. Return to near side. Turn 90-degrees on the right haunches. Walk to C.
6. Turn 90-degrees on the right forehand. Back three steps.
7. Side pass about three steps to the left. Trot serpentine through cones. Stop at A.
8. Move to off side and set up for inspection. After inspection, pick up any foot judge directs.
9. Exhibitor excused to line up.



40

Rider # 3416

Comments: Missed off side set up
side pass - make sure to cross over

Point: YES

NO

Judges Signature: Amiee Duke

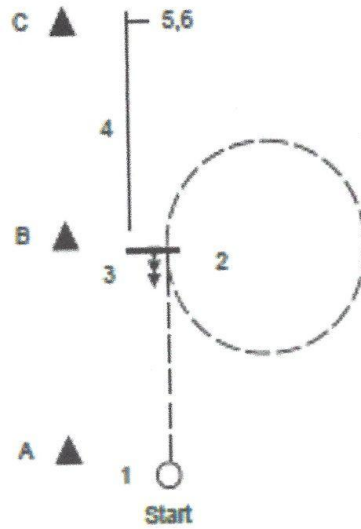
SHOWMANSHIP

BRONZE MEDAL

PATTERN#2

1. At A, perform a 360-degree turn.
2. Trot to B. At B, turn right and trot a circle, about 30' in diameter.
3. At B, stop. Back three steps.
4. Walk to C and set up for inspection.
5. Judge will ask a question about the parts of the horse.
6. Exhibitor is excused to line up.

Cones should be 30' apart



71

Rider # 235

Comments: Good start, make sure to
do full 360. Moved during inspection

Chestnut yes

poll yes

ergot no

Medal: YES NO

Judges Signature: Amirah

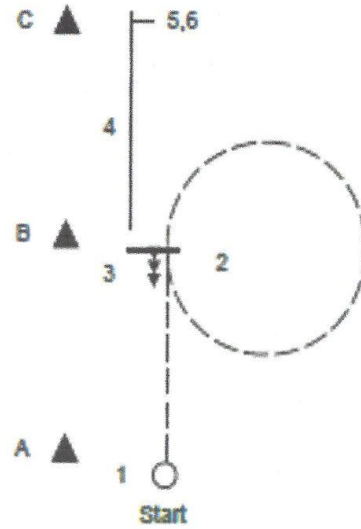
SHOWMANSHIP

BRONZE MEDAL

PATTERN#2

1. At A, perform a 360-degree turn.
2. Trot to B. At B, turn right and trot a circle, about 30' in diameter.
3. At B, stop. Back three steps.
4. Walk to C and set up for inspection.
5. Judge will ask a question about the parts of the horse.
6. Exhibitor is excused to line up.

Cones should be 30' apart



71

Rider # 107

Comments: Look up good trot!

Badled 2 steps not 3.

chastnut yes

Poll yes

crisp no

Medal: YES NO

Judges Signature: Ami Ami