

Western classes/equitation

Senior

Appointments 15%

Seat and Hands 35%

Performance 50%

#	Clothing, equipment, courtesy and poise.	Seat, posture, head, legs, hands, balance, distribution of weight and aids.	Standing, starting, walk, jog, lope, lope from walk, tasks required, general control.	Total	Danish	Placing
Brown 322	10	30	70	80	2	1
Comments: Keep seat in saddle w/ good change w/ a legs back. w/ a consistent speed						
T- 323	15	30	43	88	3	3
Comments: Feet/hoes out - Good ride, looked to break from jog to walk.						
Blue 320	15	30	38	83	2	5
Comments: Looking at lope, horse was better! w/ a leg quiet in s. Great ride!						
Purple 325	15	28	35	78	2	8
Comments: racing head toss in 2 hands horse broke in gait						
Red 315	15	33	48	90	4	1
Comments: longer leg/stim up Great consistent ride						
Bay 340	15	33	48	90	4	2
Comments: Great consistent ride hoes in						
Pai 305	13	20	40	83	2	4
Comments: try not to lean fwd sit deep into saddle. work for consistent speed						
H- 341	10	30	41	81	2	6
Comments: try not to carry as much hoes in						
Comments:						
Comments:						
Comments:						
Comments:						
Comments:						
Comments:						

Danish breakdown: 69 and under white, 70-84 red, 85-91 blue, 92 and above high blue

Western classes/equitation *Intermediate*

#	Appointments 15%		Seat and Hands 35%		Performance 50%		Total	Danish	Placing
	Clothing, equipment, courtesy and poise.		Seat, posture, head, legs, hands, balance, distribution of weight and aids.		Standing, starting, walk, jog, lope, lope from walk, tasks required, general control.				
235	15		30		25		70		3

Comments: *relax your reins, horse got out of gate*

213	15		35		50		100		1
-----	----	--	----	--	----	--	-----	--	---

Comments: *Great job*

224	15		35		0		50		4
-----	----	--	----	--	---	--	----	--	---

Comments: *tie hair above number, good relaxing your horse*

217	15		30		30		95		2
-----	----	--	----	--	----	--	----	--	---

Comments: *pants make your legs look behind your seat*

--	--	--	--	--	--	--	--	--	--

Comments:

--	--	--	--	--	--	--	--	--	--

Comments:

--	--	--	--	--	--	--	--	--	--

Comments:

--	--	--	--	--	--	--	--	--	--

Comments:

--	--	--	--	--	--	--	--	--	--

Comments:

--	--	--	--	--	--	--	--	--	--

Comments:

--	--	--	--	--	--	--	--	--	--

Comments:

--	--	--	--	--	--	--	--	--	--

Comments:

--	--	--	--	--	--	--	--	--	--

Comments:

--	--	--	--	--	--	--	--	--	--

Comments:

Danish breakdown: 69 and under white, 70-84 red, 85-91 blue, 92 and above high blue

Western classes/equitation **JUNIOR**

#	Appointments 15%	Seat and Hands 35%	Performance 50%	Total	Danish	Placing
103	15	20	50	85	B	2

Comments: *sit deeper in seat, heels down*

107	15	35	40	90	B	1
-----	----	----	----	----	---	---

Comments: *wrong lead, good job controlling*

--	--	--	--	--	--	--

Comments:

--	--	--	--	--	--	--

Comments:

--	--	--	--	--	--	--

Comments:

--	--	--	--	--	--	--

Comments:

--	--	--	--	--	--	--

Comments:

--	--	--	--	--	--	--

Comments:

--	--	--	--	--	--	--

Comments:

--	--	--	--	--	--	--

Comments:

--	--	--	--	--	--	--

Comments:

--	--	--	--	--	--	--

Comments:

--	--	--	--	--	--	--

Comments:

--	--	--	--	--	--	--

Comments:

Danish breakdown: 69 and under white, 70-84 red, 85-91 blue, 92 and above high blue

Western classes/equitation *Green horse*

Appointments 15%

Seat and Hands 35%

Performance 50%

#	Clothing, equipment, courtesy and poise.	Seat, posture, head, legs, hands, balance, distribution of weight and aids.	Standing, starting, walk, jog, lope, lope from walk, tasks required, general control.	Total	Danish	Placing
340	15	30	35	80	R	2

Comments: *no posting at the jog, wrong lead, use arena more than rail*

21	18	35	50	95	HB	1
----	----	----	----	----	----	---

Comments: *tie hair up or braid out of number*

--	--	--	--	--	--	--

Comments:

--	--	--	--	--	--	--

Comments:

--	--	--	--	--	--	--

Comments:

--	--	--	--	--	--	--

Comments:

--	--	--	--	--	--	--

Comments:

--	--	--	--	--	--	--

Comments:

--	--	--	--	--	--	--

Comments:

--	--	--	--	--	--	--

Comments:

--	--	--	--	--	--	--

Comments:

--	--	--	--	--	--	--

Comments:

--	--	--	--	--	--	--

Comments:

--	--	--	--	--	--	--

Comments:

Danish breakdown: 69 and under white, 70-84 red, 85-91 blue, 92 and above high blue

Western classes/equitation **NOVICE**

#	Appointments 15%	Seat and Hands 35%	Performance 50%	Total	Danish	Placing
54	15	30	35	80	B	2

Comments: went to two hands after one handed horse broke to canter and stopped - good job staying in control

92	10	35	50	95	HB	1
----	----	----	----	----	----	---

Comments: tuck in shirt, tie hair

--	--	--	--	--	--	--

Comments:

--	--	--	--	--	--	--

Comments:

--	--	--	--	--	--	--

Comments:

--	--	--	--	--	--	--

Comments:

--	--	--	--	--	--	--

Comments:

--	--	--	--	--	--	--

Comments:

--	--	--	--	--	--	--

Comments:

--	--	--	--	--	--	--

Comments:

--	--	--	--	--	--	--

Comments:

--	--	--	--	--	--	--

Comments:

--	--	--	--	--	--	--

Comments:

--	--	--	--	--	--	--

Comments:

Danish breakdown: 69 and under white, 70-84 red, 85-91 blue, 92 and above high blue

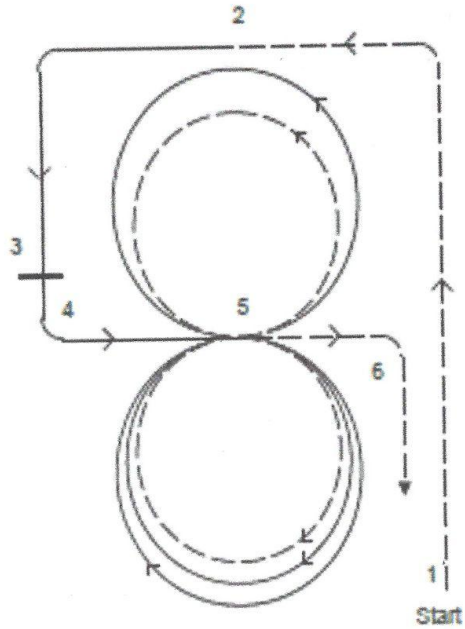
STOCK SEAT

BRONZE MEDAL

PATTERN # 2

Start pattern on rail

- 1. Drop stirrups and jog. ✓
- 2. Lope on left lead. ✓
- 3. Stop and pick up stirrups. ✓
- 4. Turn into center and lope a figure eight plus a circle starting to the right with two simple changes of lead. ✓
- 5. Jog a figure eight. ✓
- 6. Return to line at a jog.



71

Rider # 341

Comments: _____

Medal: YES

NO

Judges Signature: Amishme

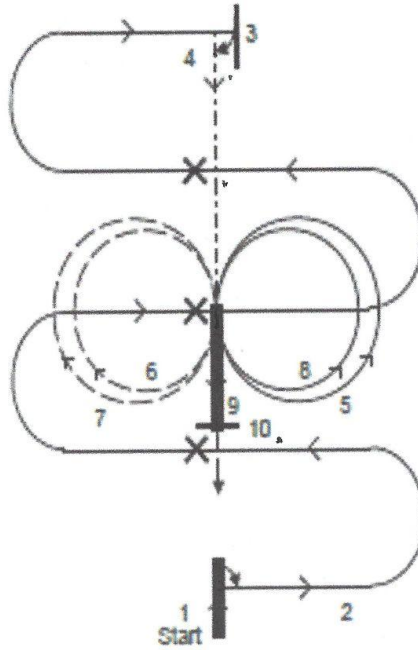
STOCK SEAT

SUPREME AWARD

PATTERN #2

Start pattern at center of rail.

1. Walk out of line, do a 90-degree haunch turn to right.
2. Lope a serpentine with three flying changes on the centerline. (Marked with "X" on drawing)
3. Stop. Do a 90-degree haunch turn to right.
4. Drop stirrups and extend jog to the center.
5. Lope a large circle to the left.
6. Jog a small circle to the right.
7. Jog a large circle to the right.
8. Lope a small circle to the left.
9. Transition to a walk, walk about 15 steps.
10. Stop. Return to line at a jog.



16

Rider # 323

Comments: _____

Point: YES NO

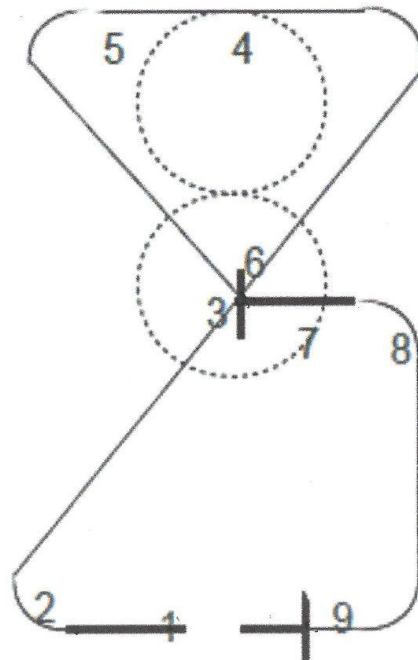
Judges Signature: *Ami D. [Signature]*

STOCK SEAT

SILVER MEDAL

PATTERN # 2

1. Leave line at walk on right track.
2. At corner begin a lope on the right lead; lope diagonally across the arena.
3. At center do a simple lead change; continue across diagonal; at corner go left track on rail.
4. Halfway down rail transition to a jog; jog a figure eight. (1/2 circle to the left, full circle to the right, 1/2 circle to the left.)
5. Lope on left lead along the rail; at corner go diagonally to the center of arena.
6. Stop.
7. Walk to the rail.
8. At rail go right track; lope about three strides. Transition to extended jog around corner.
9. Stop. Return to line at a walk.



71

308

Rider # DAVA

Comments: _____

Medal: YES NO

Judges Signature: Amir Amir

Western classes/equitation

#	Appointments 15%		Seat and Hands 35%		Performance 50%		Total	Danish	Placing
	Clothing, equipment, courtesy and poise.		Seat, posture, head, legs, hands, balance, distribution of weight and aids.		Standing, starting, walk, jog, lope, lope from walk, tasks required, general control.				
Jr 103	15		25		30		70		2
Comments: ✓ try to sit in seat hard to lope good effort!									
G.H. 21	15		30		40		85		1
Comments: 2 hands keeps hands lower - wings lead corrected, nice job									
Jr 107	15		33		35		83		1
Comments: ✓ racking/jigsing nice solid leg/seat nice job stay in control in control									
G.H. 340	10		23		25		78		2
Comments: ✓ good transitions wings lead cinch pin									
Comments:									
Comments:									
Comments:									
Comments:									
Comments:									
Comments:									

Danish breakdown: 69 and under white, 70-84 red, 85-91 blue, 92 and above high blue

novice

Western classes/equitation

#	Appointments 15%	Seat and Hands 35%	Performance 50%	Total	Danish	Placing
92	10	33	48	91		1

Comments: 2 hands
linch pin excellent leg + seat!

--	--	--	--	--	--	--

Comments:

--	--	--	--	--	--	--

Comments:

--	--	--	--	--	--	--

Comments:

--	--	--	--	--	--	--

Comments:

--	--	--	--	--	--	--

Comments:

--	--	--	--	--	--	--

Comments:

--	--	--	--	--	--	--

Comments:

--	--	--	--	--	--	--

Comments:

--	--	--	--	--	--	--

Comments:

--	--	--	--	--	--	--

Comments:

--	--	--	--	--	--	--

Comments:

--	--	--	--	--	--	--

Comments:

--	--	--	--	--	--	--

Comments:

Danish breakdown: 69 and under white, 70-84 red, 85-91 blue, 92 and above high blue

gr
dise paul

Western classes/equitation

#	Appointments 15%		Seat and Hands 35%	Performance 50%	Total	Danish	Placing
	Clothing, equipment, courtesy and poise.		Seat, posture, head, legs, hands, balance, distribution of weight and aids.	Standing, starting, walk, jog, lope, lope from walk, tasks required, general control.			
322	15		30	40	85	B	4
Comments: no counter w/ on transitions. Nice ride!							
323	15		33	45	83	R	6
Comments: Nice ride - some resistance at 1st to lope - toes -							
315	15		34	47	90	HB	1
Comments: Great ride!							
305	15		30	40	85	B	3
Comments: I think a longer leg would be good heads down no counter.							
241	15		30	39	84	R	5
Comments: less pld at ext trot no counter - got a little nervous at lope							
358	15		33	46	94	HB	2
Comments: A great consistent ride w/ on toes in							
Comments:							
Comments:							
Comments:							
Comments:							
Comments:							
Comments:							
Comments:							
Comments:							

Danish breakdown: 69 and under white, 70-84 red, 85-91 blue, 92 and above high blue