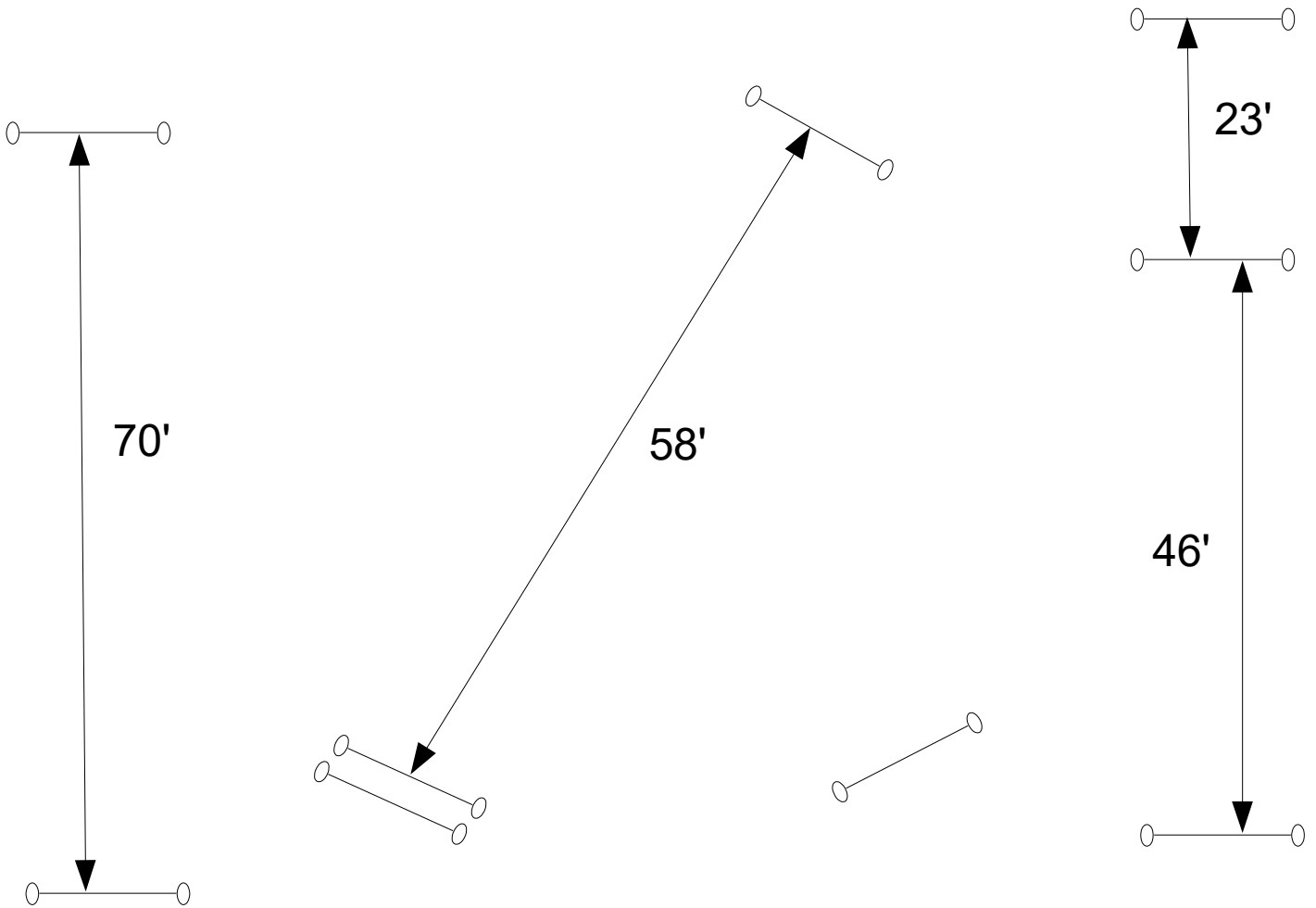


Course #2 SET UP

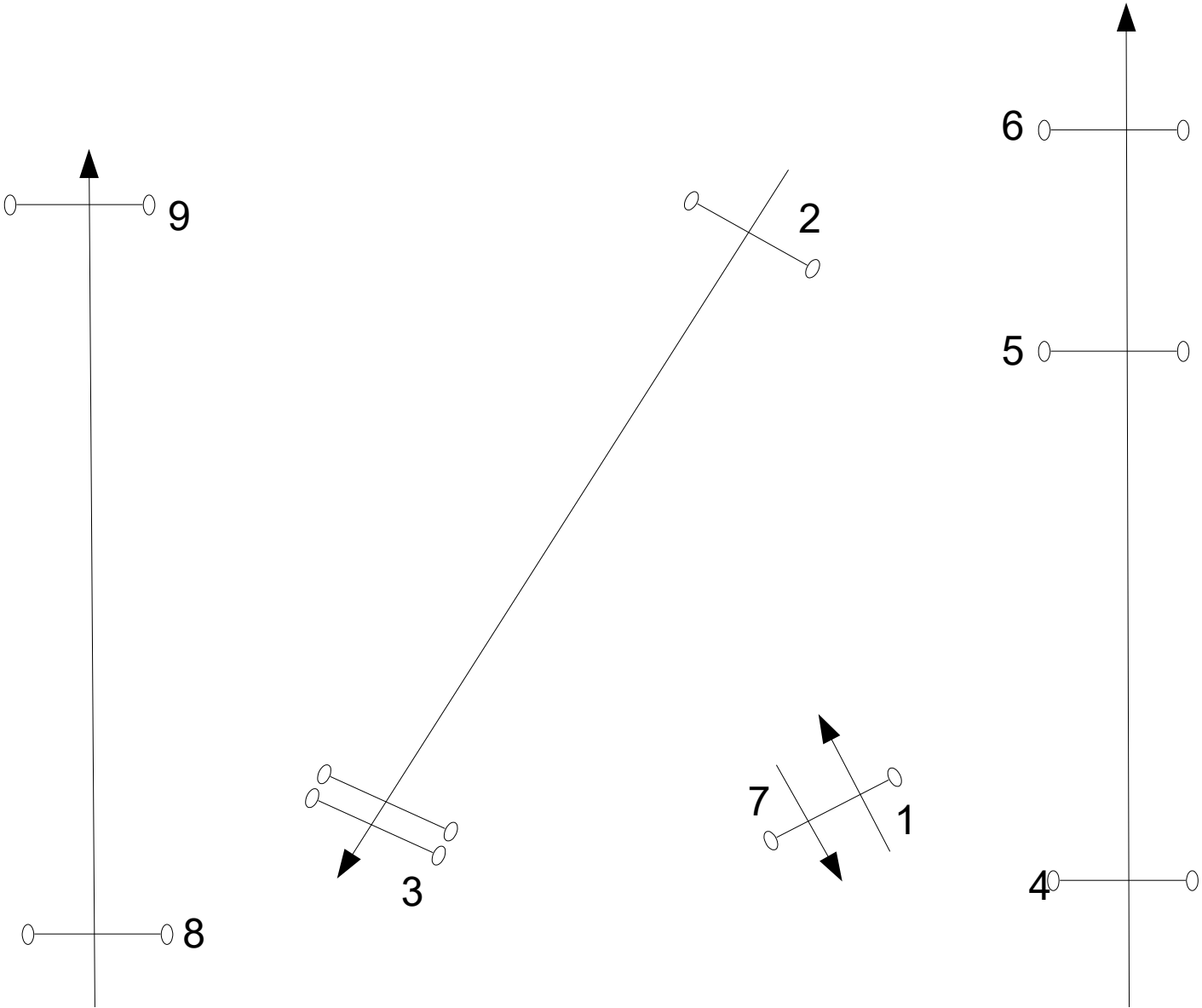
Jumps must be 10' from long rail

Ground pole on the approach side of each jump

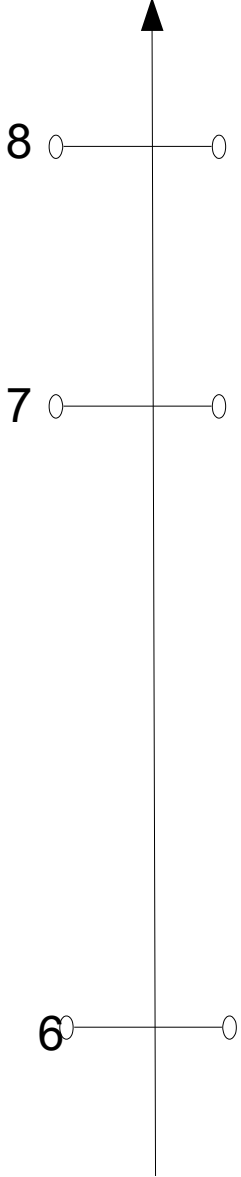
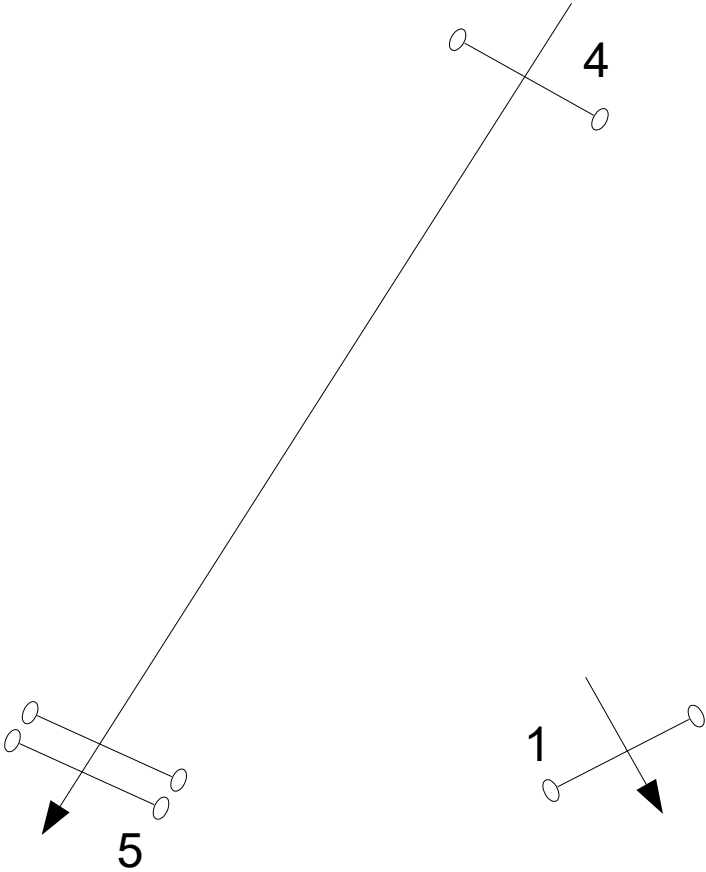
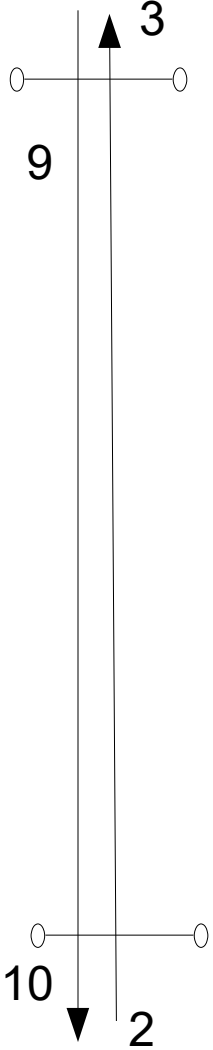
Measure from the approach side of the rail



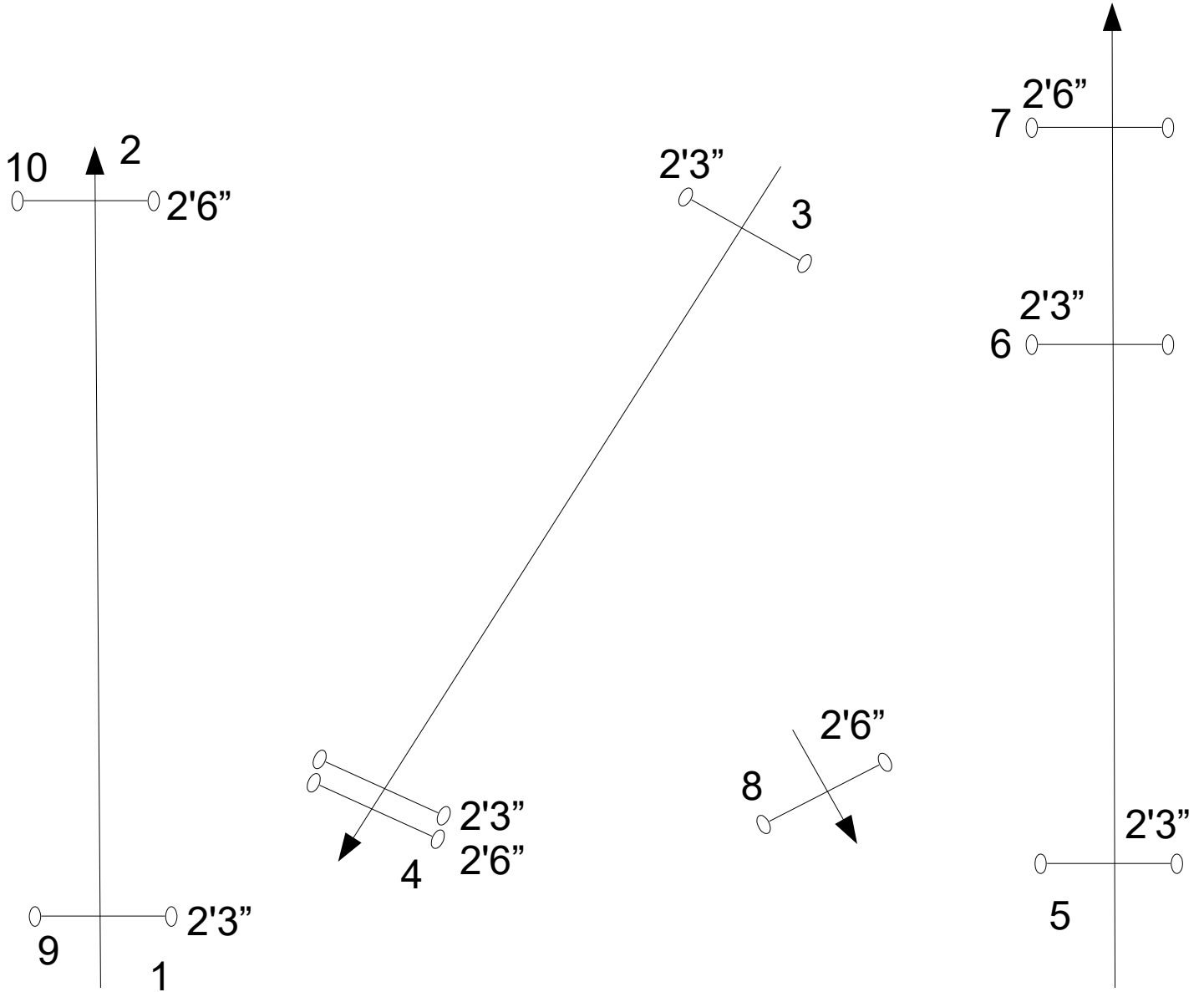
Course #2 EQUITATION



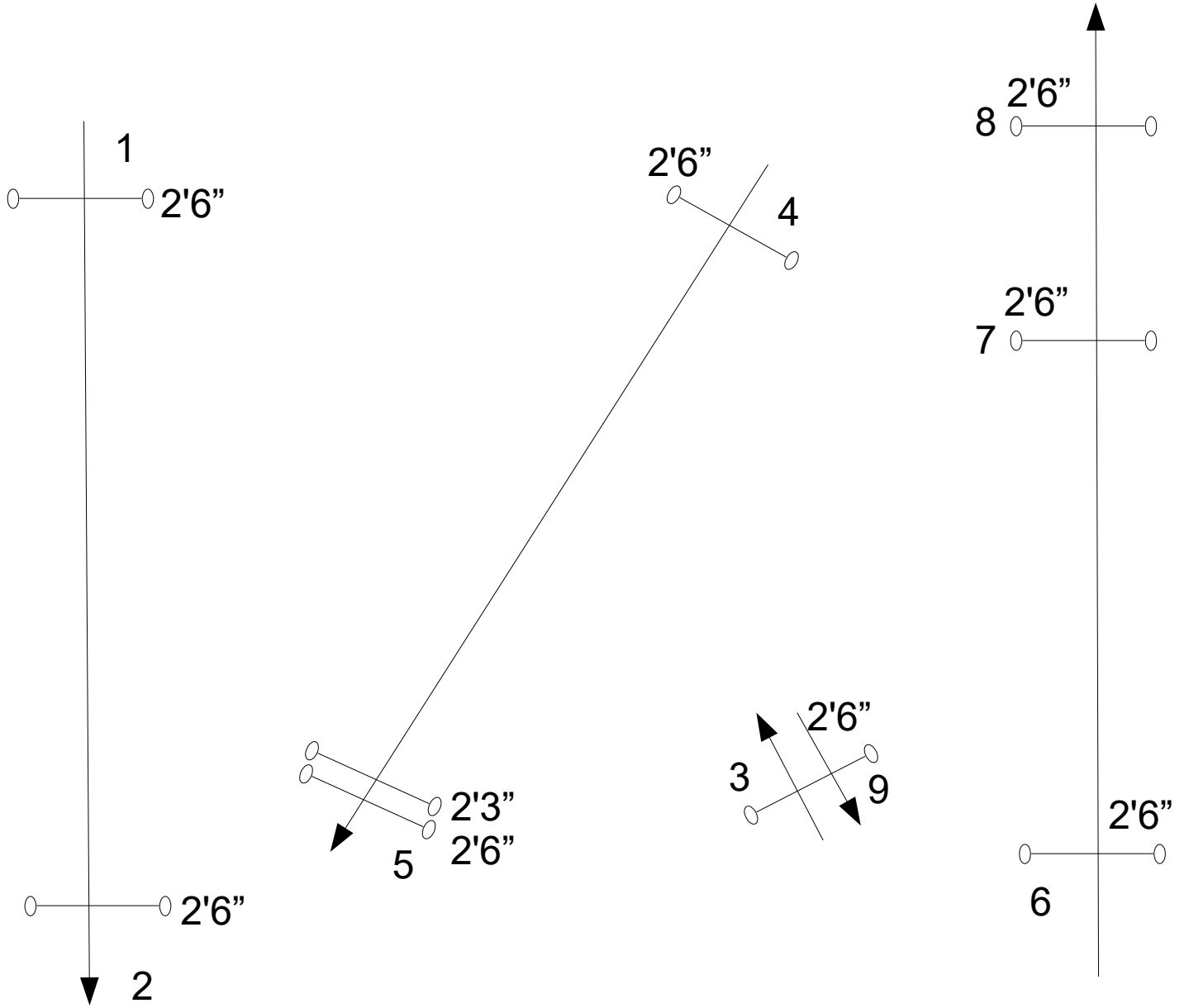
Course #2 HUNTER



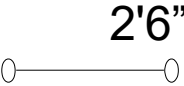
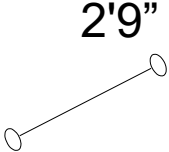
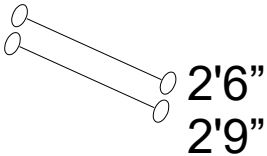
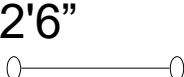
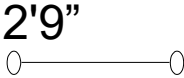
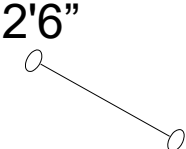
Course #2 BRONZE



Course #2 SILVER



Course #2 GOLD



2'6"
2'9"

Course #2 SUPREME

