

Western Stockseat Equitation - Seniors

High Blue = 100% - 92% (Enters Medal Program) Blue = 92% - 85% Red = 84% - 70% White = 70% -

#	Comments	Danish	Score	Placing
Green 322	HL ++ nice job	WB	95	4
Grey Arab 314	2 hand curbs	W	69	
Ch+W 320	control 2 handed	W	64	
Ch 335	2 hand curbs	W	67	
Pd 305	HL ++	B	87	6
Red 315	~ HL	B	89	5
Grey 363	2 hand at times	W	68	
Ch Arab 343	HD ++ nice job	HB	97	2
Baw 321	HL ++ -	HB	96	3
Bay 323	++ nice job	HB	98	1
Baw Blue 351	HL	B	86	7
Ch Black 302	Heels up sometimes 2 hand	R	80	8

Western Discipline Rail - Seniors

High Blue = 100% - 92% (Enters Medal Program) Blue = 92% - 85% Red = 84% - 70% White = 70% -

#	Comments	Danish	Score	Placing
Red 315		B	92	3
Blw 351		B	91	4
Green 322		B	90	5
Pal 305	++	HB	95	2
White as a B 364	2 hand	W	68	7
Blk w 321	+ no extension	R	80	6
Bay 323	+ 4	HB	97	1
	Adult			
Bay w 25	no side pass	R	79	3
Grulla 28	= 2 hand	R	80	2
Blk 21	++	HB	95	1

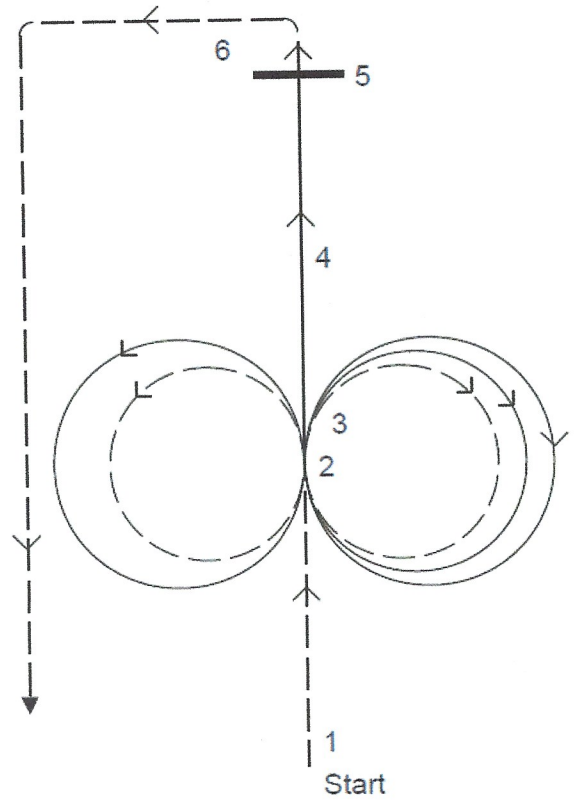
STOCK SEAT

BRONZE MEDAL

PATTERN #4

Start pattern on rail.

1. Begin at a jog up center of arena.
2. Jog a figure eight starting to the right.
3. Lope a figure eight plus a circle with two simple lead changes.
4. Continue lope in a straight line.
5. Stop 20 feet from end of arena. Drop stirrups.
6. Pick up a jog to end of arena, turn to the left (left track), and jog around corner and down the rail back to line.



Rider # 315

Comments: mark your center. Also make
a straight line on the figure 8

Medal Awarded: YES

NO

Judge's Signature

W H

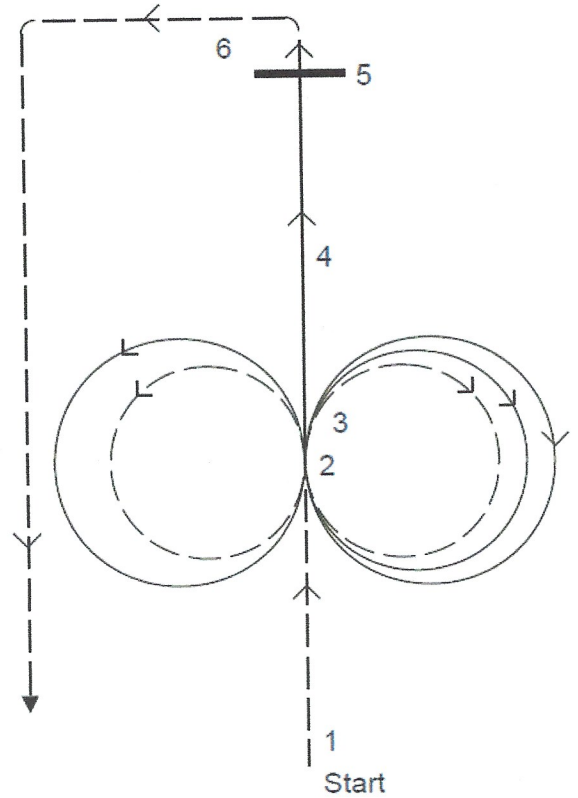
STOCK SEAT

BRONZE MEDAL

PATTERN # 4

Start pattern on rail.

1. Begin at a jog up center of arena.
2. Jog a figure eight starting to the right.
3. Lope a figure eight plus a circle with two simple lead changes.
4. Continue lope in a straight line.
5. Stop 20 feet from end of arena. Drop stirrups.
6. Pick up a jog to end of arena, turn to the left (left track), and jog around corner and down the rail back to line.



Rider # 343

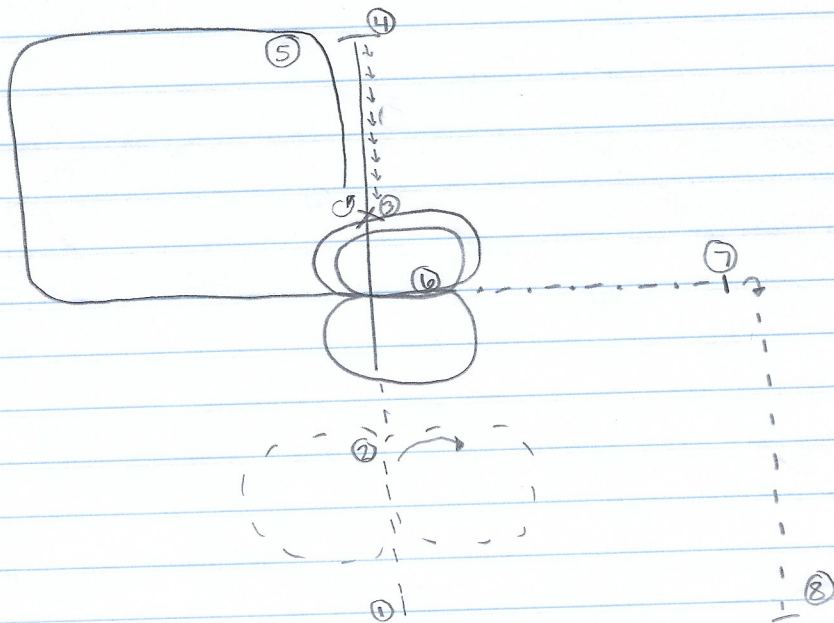
Comments: wrong lead to the left

Medal Awarded: YES

NO

[Signature]
Judge's Signature

Stockseat Gold



- 1) Begin at center rail, drop stirrups and pick up jog
- 2) Jog a figure eight starting to the right
- 3) Jog out of figure eight, pick up left lead lope and perform one simple lead change
- 4) Halt before rail, back 8 steps and perform 360° haunch turn to the left, pick up stirrups
- 5) Lope left lead around corner at center of arena as shown
- 6) Lope a figure 8 plus a circle starting to the left showing 2 flying lead changes
- 7) After circles, transition to extended jog, halt before rail
- 8) Perform 90° haunch turn to the right, jog down rail and halt.

Lily Kellerman 5/5/2023



Gold medal Judges sheet

Rider # 358

Comments: work to stick pivot

Medal Awarded: YES NO

W H
Judge's Signature

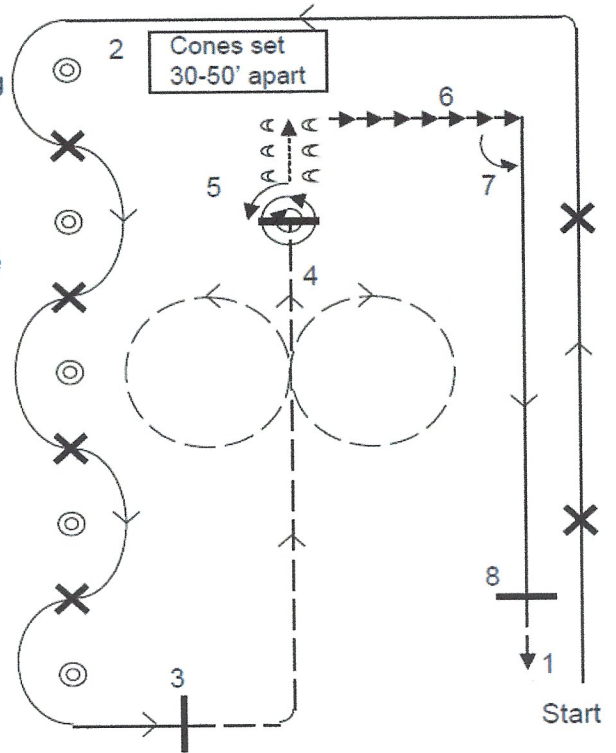
STOCK SEAT

SUPREME AWARD

PATTERN # 4

Start pattern on rail.

1. Beginning on left lead, lope to end of ring showing two simple changes.
2. Continue at a lope around ring to cones and lope showing flying changes.
3. Stop. Drop stirrups, jog a figure eight.
4. Jog out of figure eight and stop.
5. Perform a 360-degree turn to the right, a 360-degree turn to the left, continue 90-degrees further to the left. Side pass three steps to the right.
6. Back to rail and turn 90-degrees to the left on the forehand.
7. Pick up stirrups. Lope on right lead.
8. Halt. Return to line at a jog.



Rider # 323

Comments: Rough transition on the first flying
lead change

Point Awarded:

YES

NO

Judge's Signature

W H