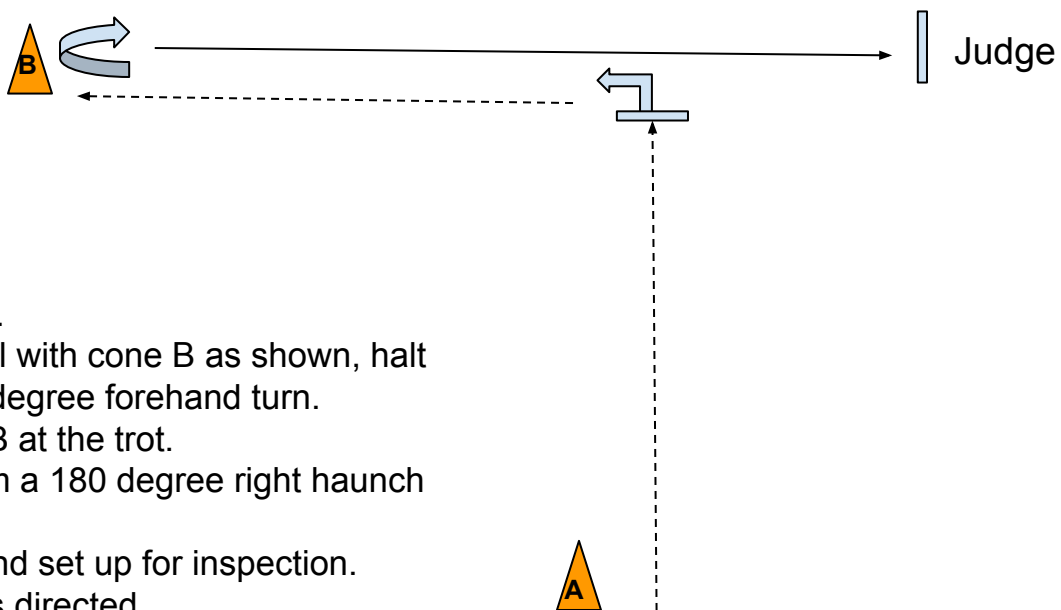


## Intermediate Showmanship 6.4.22



1. Begin at cone A.
2. Trot until parallel with cone B as shown, halt and perform a 90 degree forehand turn. Continue to cone B at the trot.
3. Halt and perform a 180 degree right haunch turn.
4. Walk to judge and set up for inspection.
5. Return to line as directed.