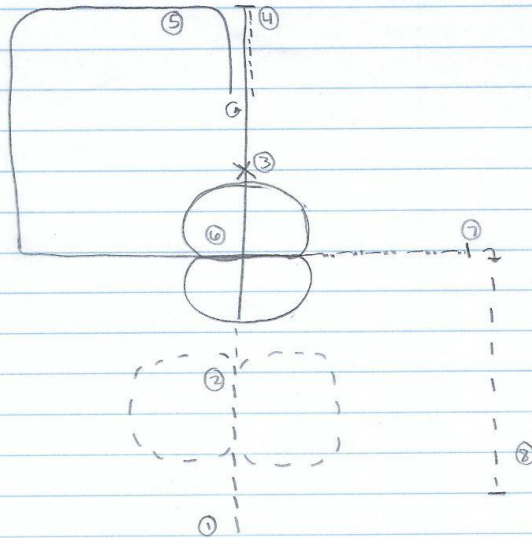


Stock seat Gold



- + 1) Begin at center of rail, drop stirrups and pick up jog
- + 2) Jog a figure eight starting to the right
- o 3) Jog out of figure eight, then pick up left lead lope and perform one simple lead change
- MP 4) Halt before rail, back 8 steps and perform a 360° haunch turn to the left, pick up stirrups
- 5) Lope on left lead around corner at to center of arena
- 6) Lope a figure 8 plus a circle starting to the left showing 2 flying lead changes 2nd O, smaller 2nd Δ +
- 7) Once completed circles, transition to extended jog and halt before rail roughshod trans. +
- 8) Perform a 90° haunch turn to the right and jog down rail and halt where indicated

Rim hand
high

Lily Kellerman 5/5/2023

no medal
K. Dylio

ok

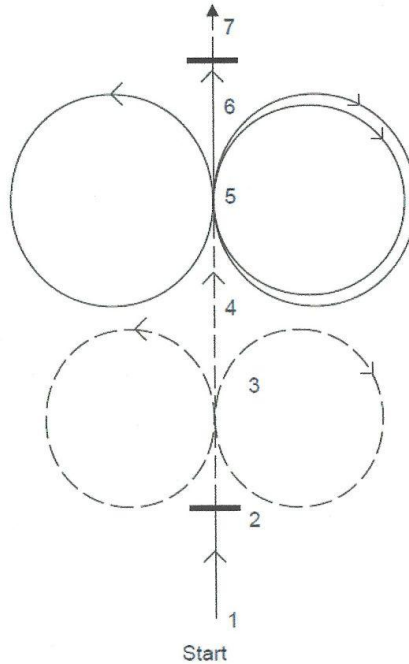
STOCK SEAT

BRONZE MEDAL

PATTERN # 1

Start pattern at center rail

1. Lope from line on right lead. *loaf*
2. Stop. Drop stirrups.
3. Jog a figure eight either direction. *Elbow almost head*
4. Continue jogging and pick up stirrups.
5. Lope a figure eight plus a circle starting to the right showing two simple lead changes. *A1 = A*
6. Stop. *Try not to lean* *A2 = f*
7. Return to line at the jog. *mark*



Rider # 311

Comments: _____

Medal: YES

NO

Judges Signature: *H. Sigler*

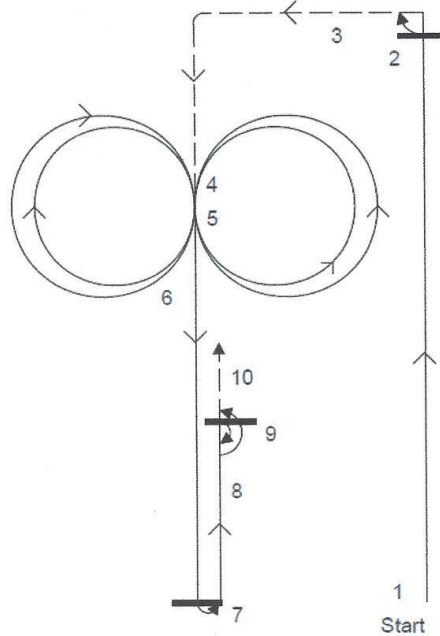
STOCK SEAT

SUPREME AWARD

PATTERN # 1

Start pattern on the rail.

- x 1. Demonstrate a counter lope with a square stop.
- x 2. Turn on hindquarters to the left.
- x 3. Jog along rail and turn down center of arena.
- Y 4. Lope a figure eight plus a circle demonstrating two simple changes of lead. $\Delta = +$
- Y 5. Continue figure eight plus a circle demonstrating two flying changes of lead. $\Delta = +$
- + 6. Lope out of figure eight and stop.
- O 7. Turn on the forehand to the left.
- + 8. Lope and stop.
- ⊕ 9. Demonstrate two 180-degree haunch turns, first right then left.
- 10. Return to line at a jog.



Rider # 323

Comments: Lovely ride!

Point: YES NO

Judges Signature: H. Lybo

