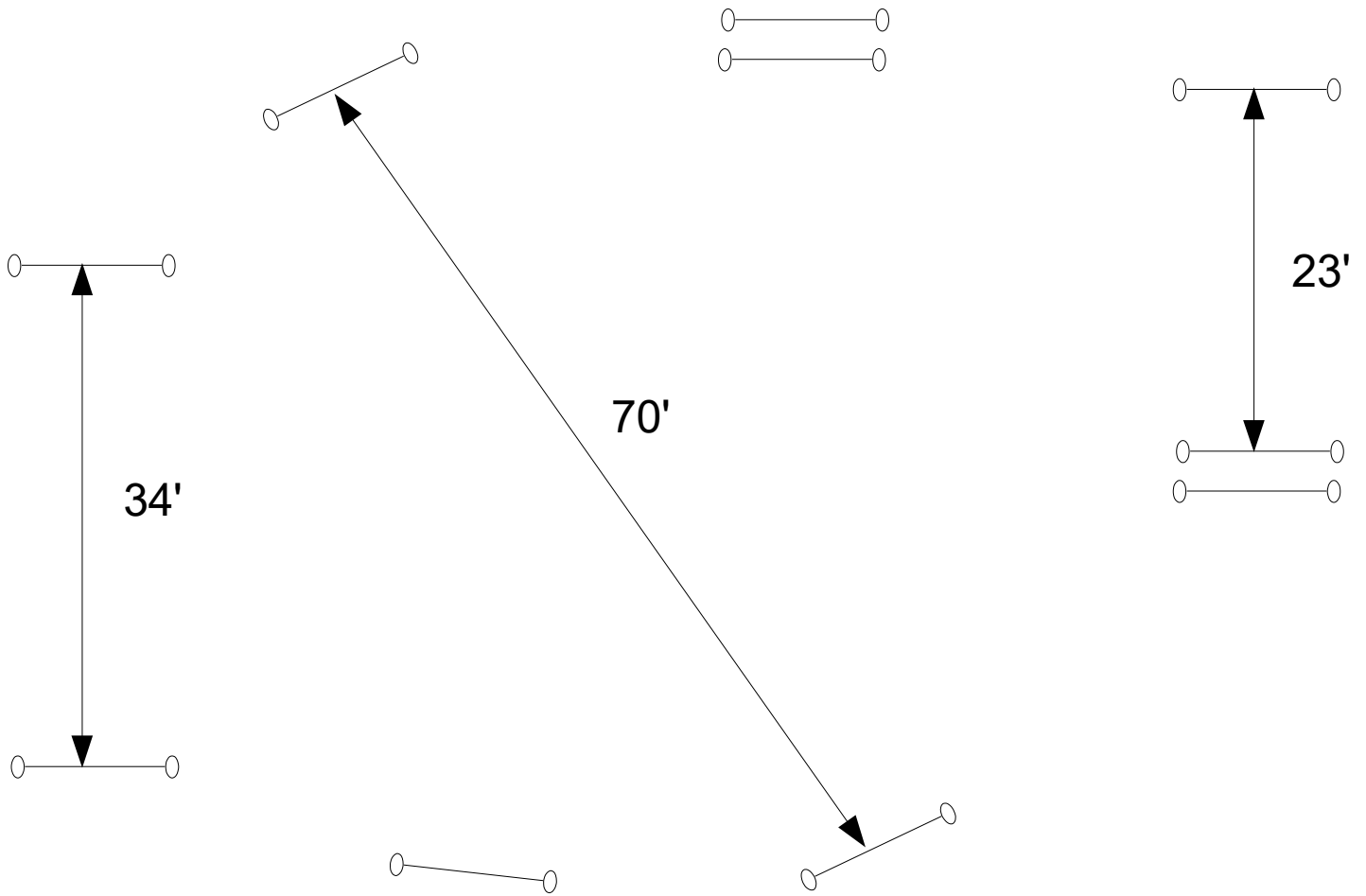


Course #4 SET UP

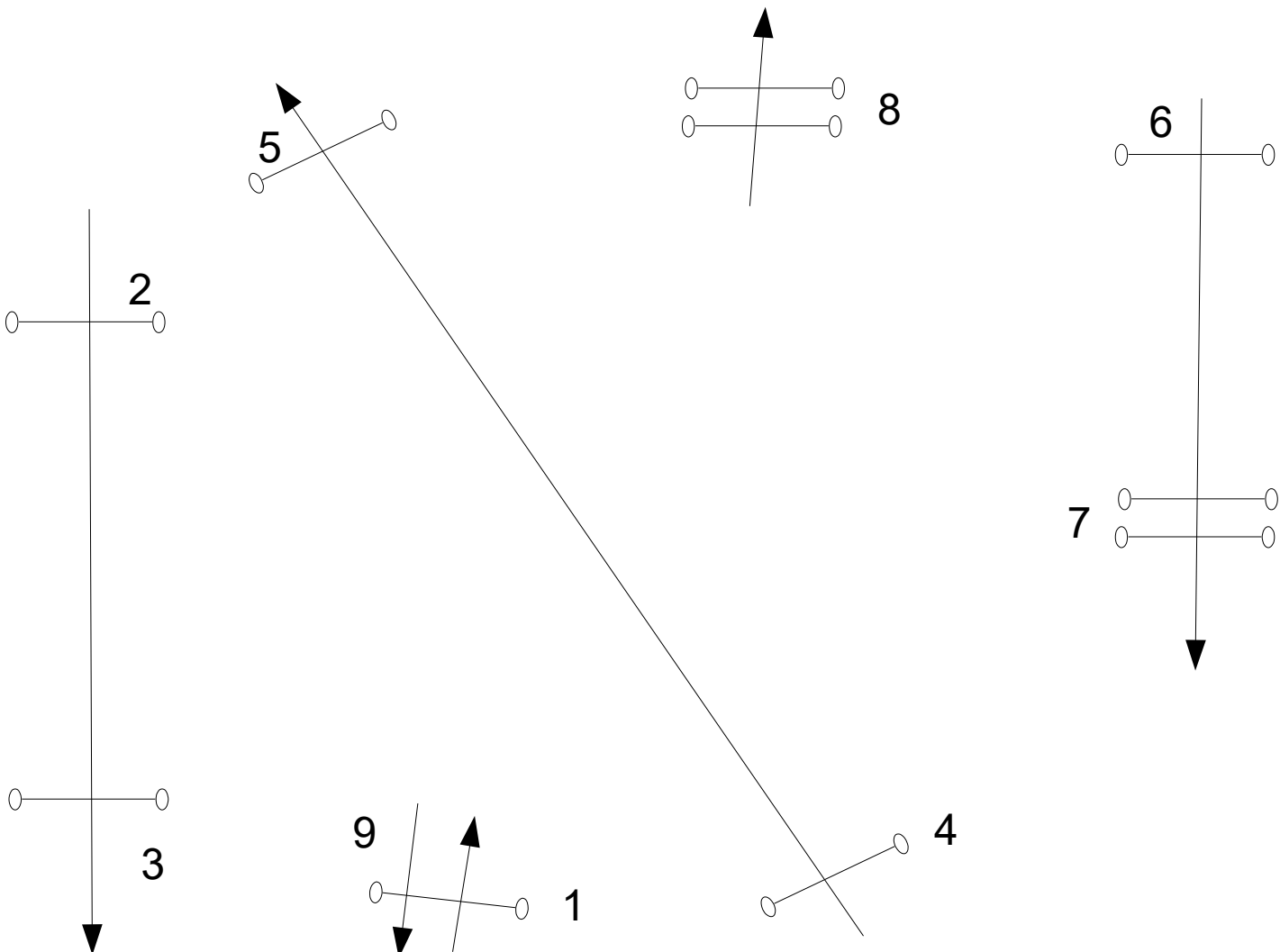
Jumps must be 10' from long rail

Ground pole on the approach side of each jump

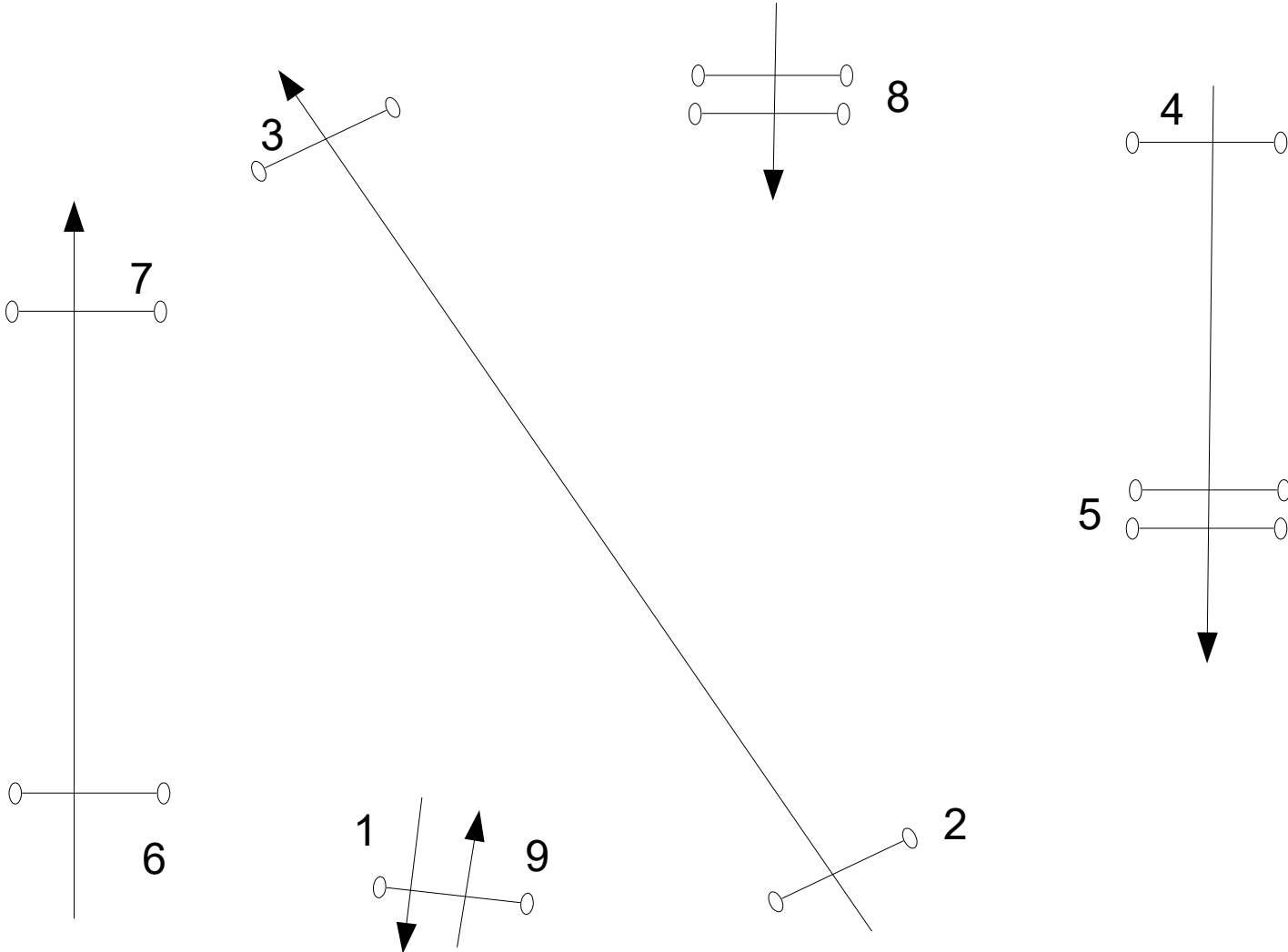
Measure from the approach side of the rail



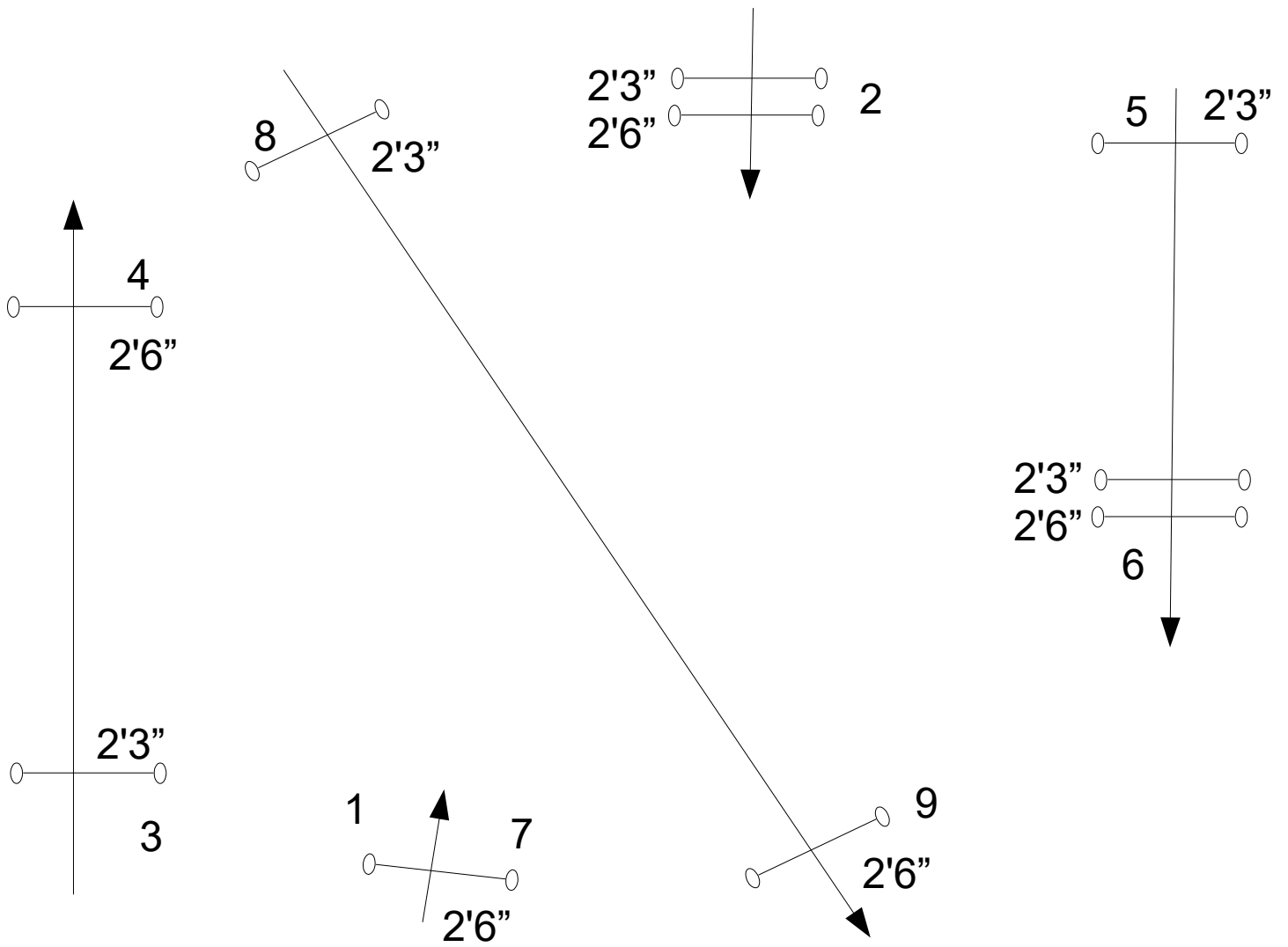
Course #4 EQUITATION



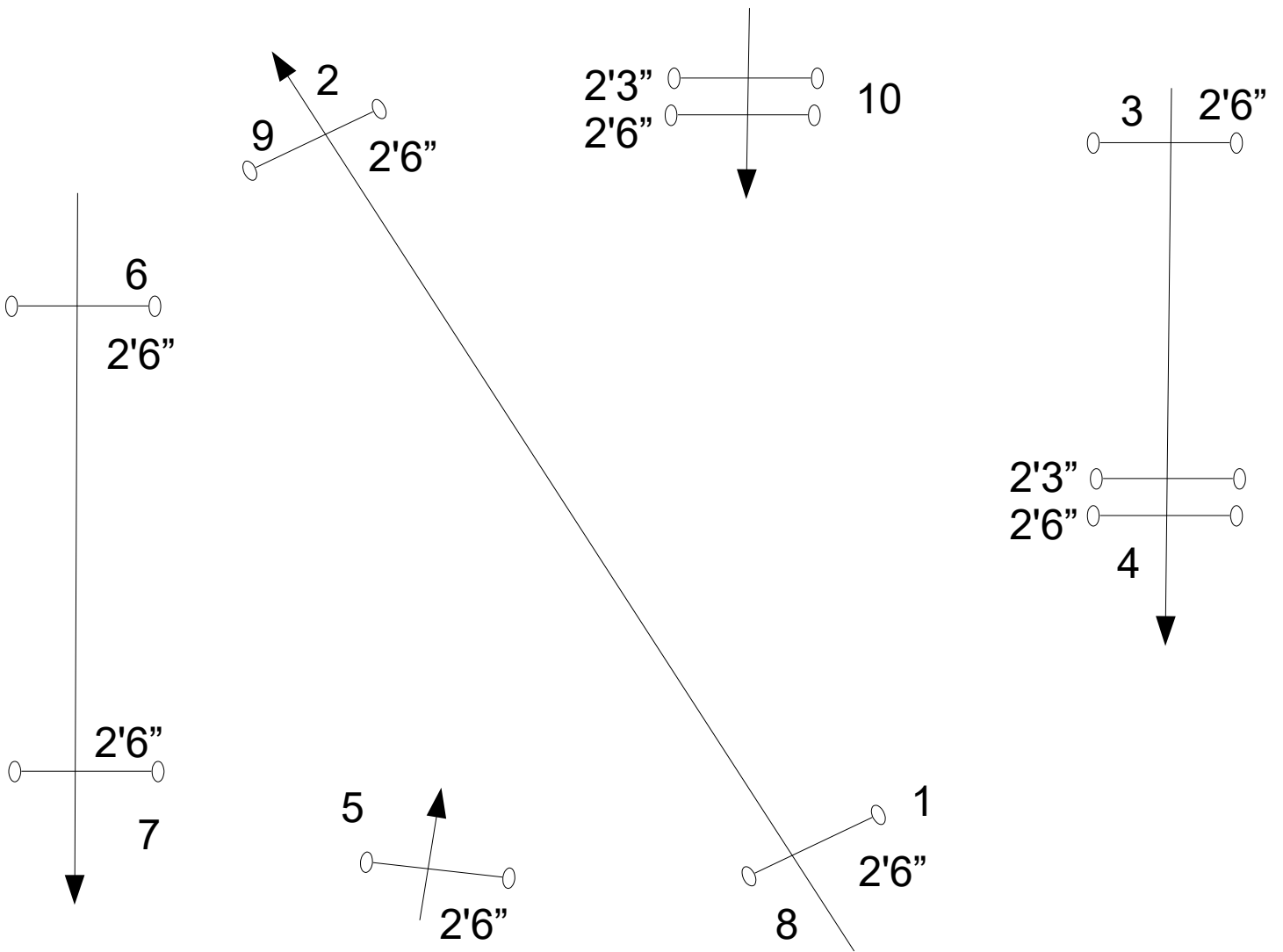
Course #4 HUNTER



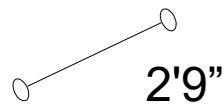
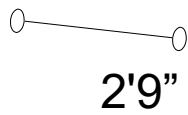
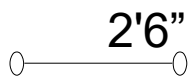
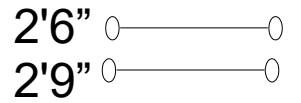
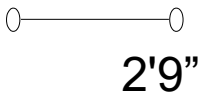
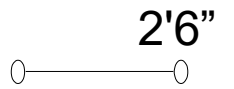
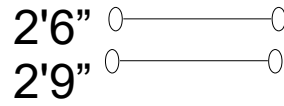
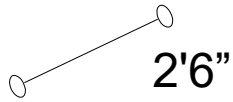
Course #4 BRONZE



Course #4 SILVER



Course #4 GOLD



Course #4 SUPREME

